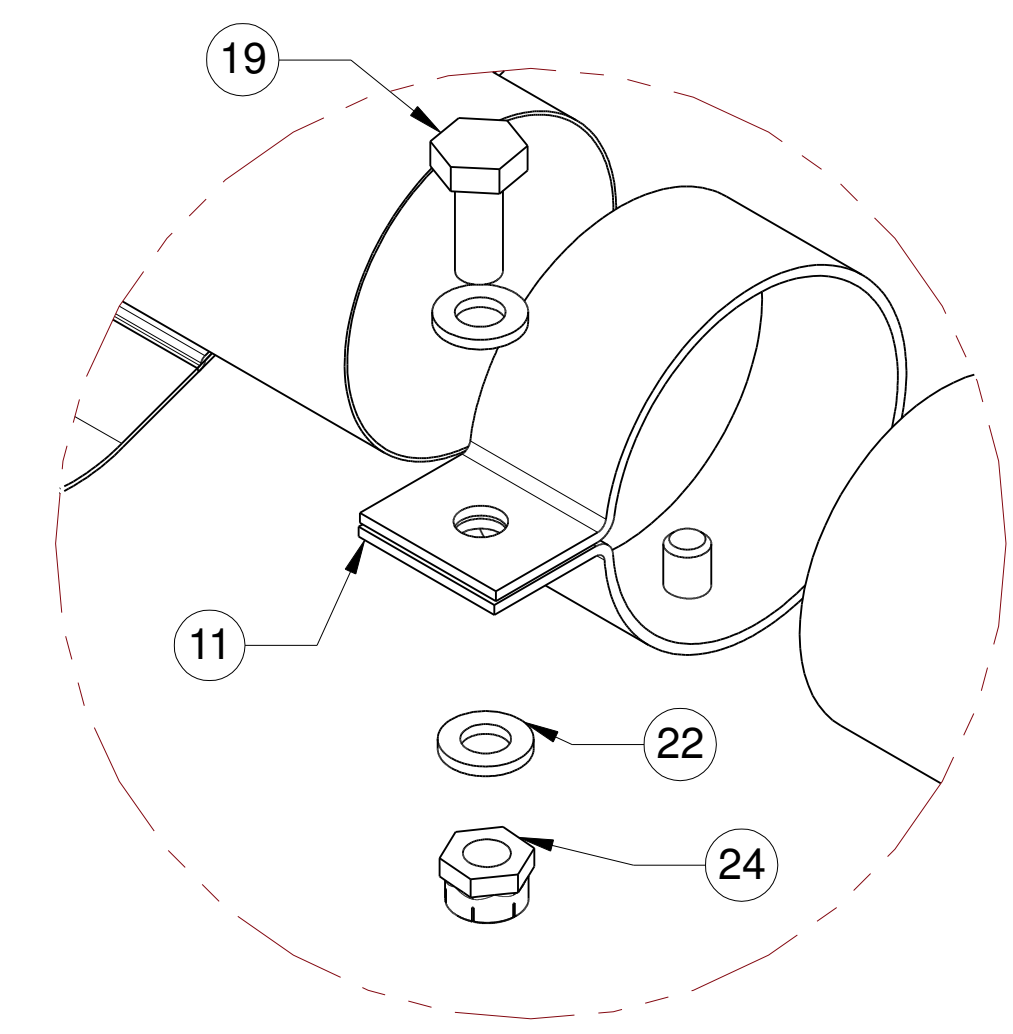
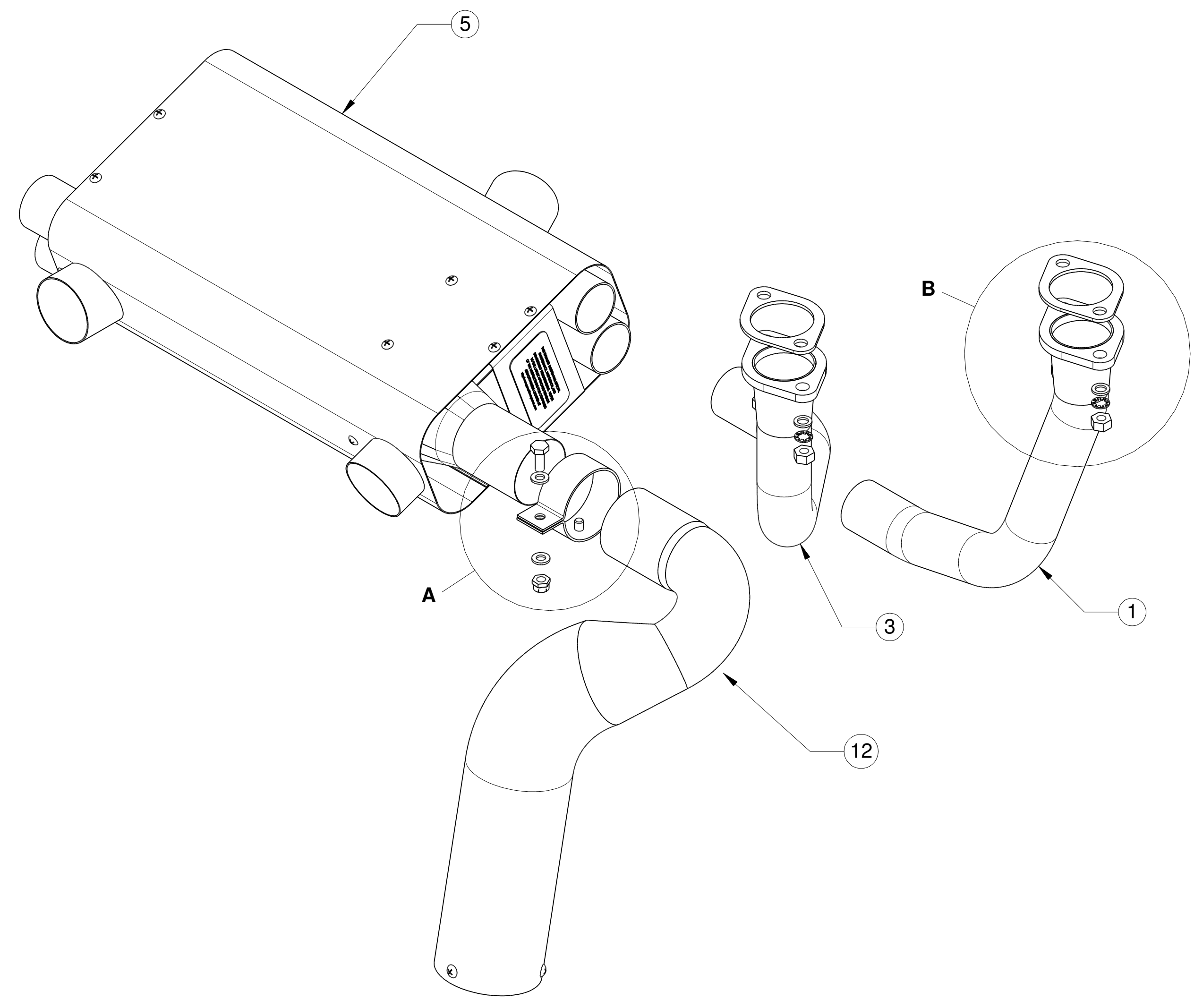
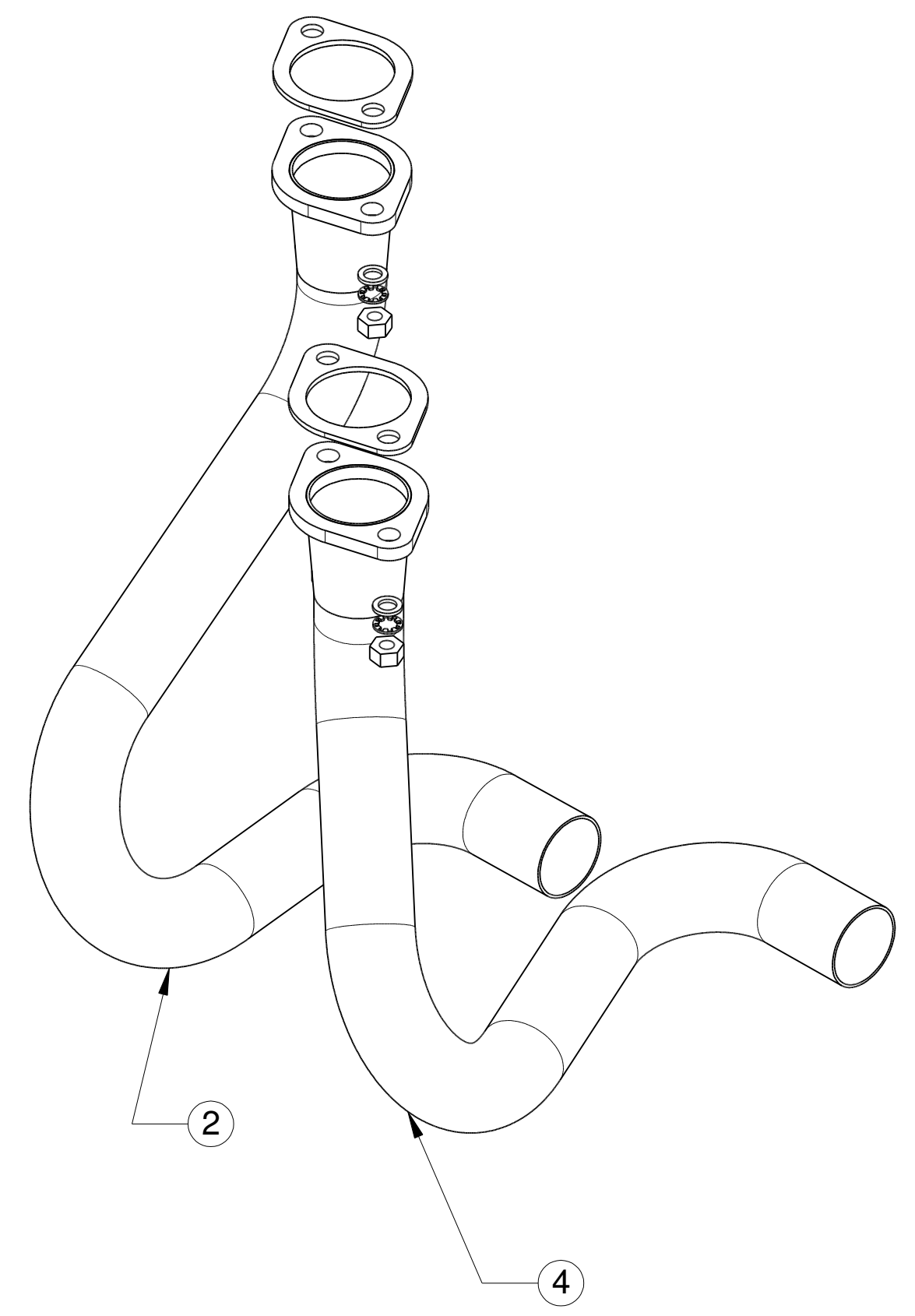
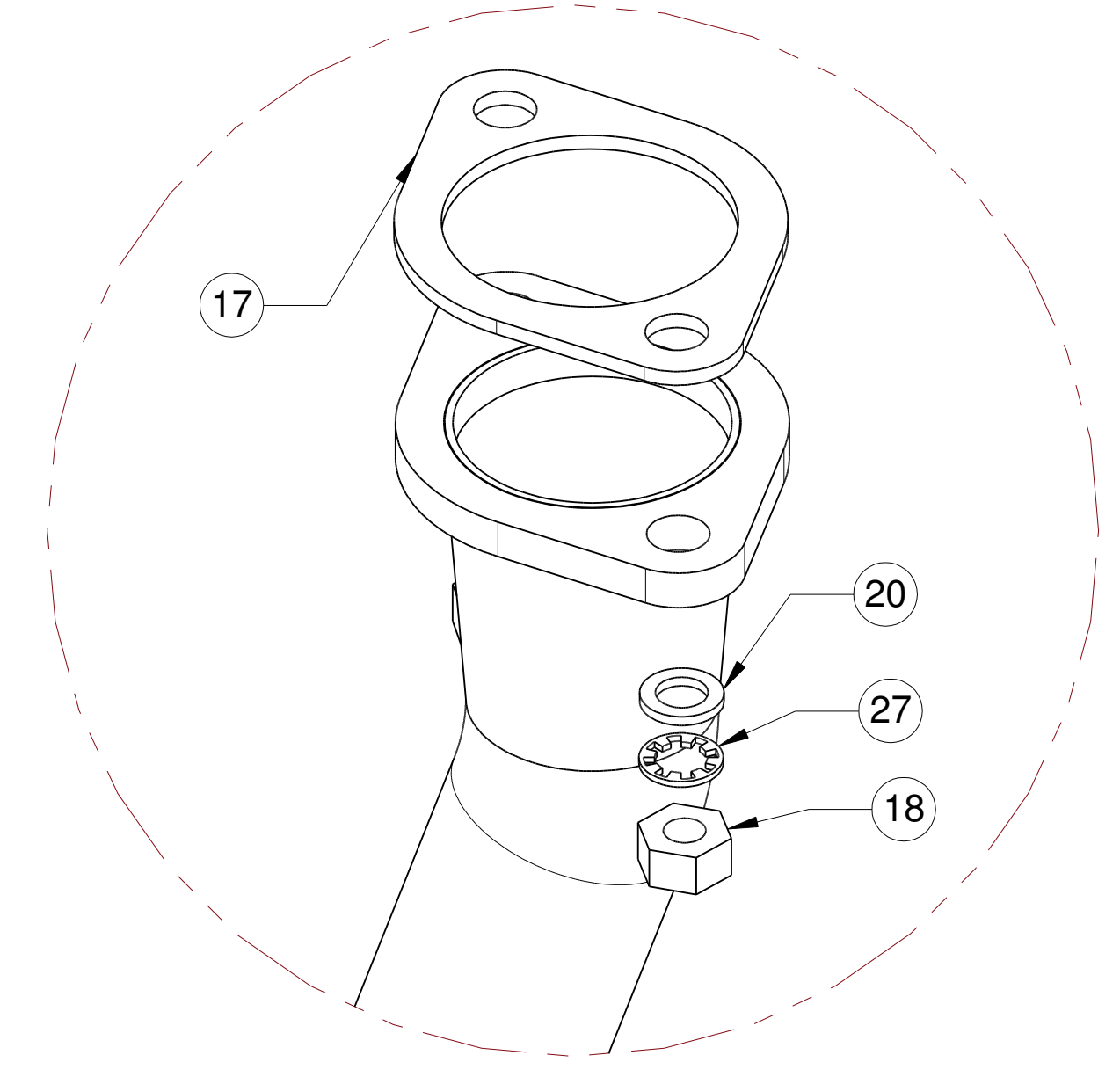


| REVISIONS | | |
|-----------|-------------|------|
| REV | DESCRIPTION | DATE |
| | | |



Detail A

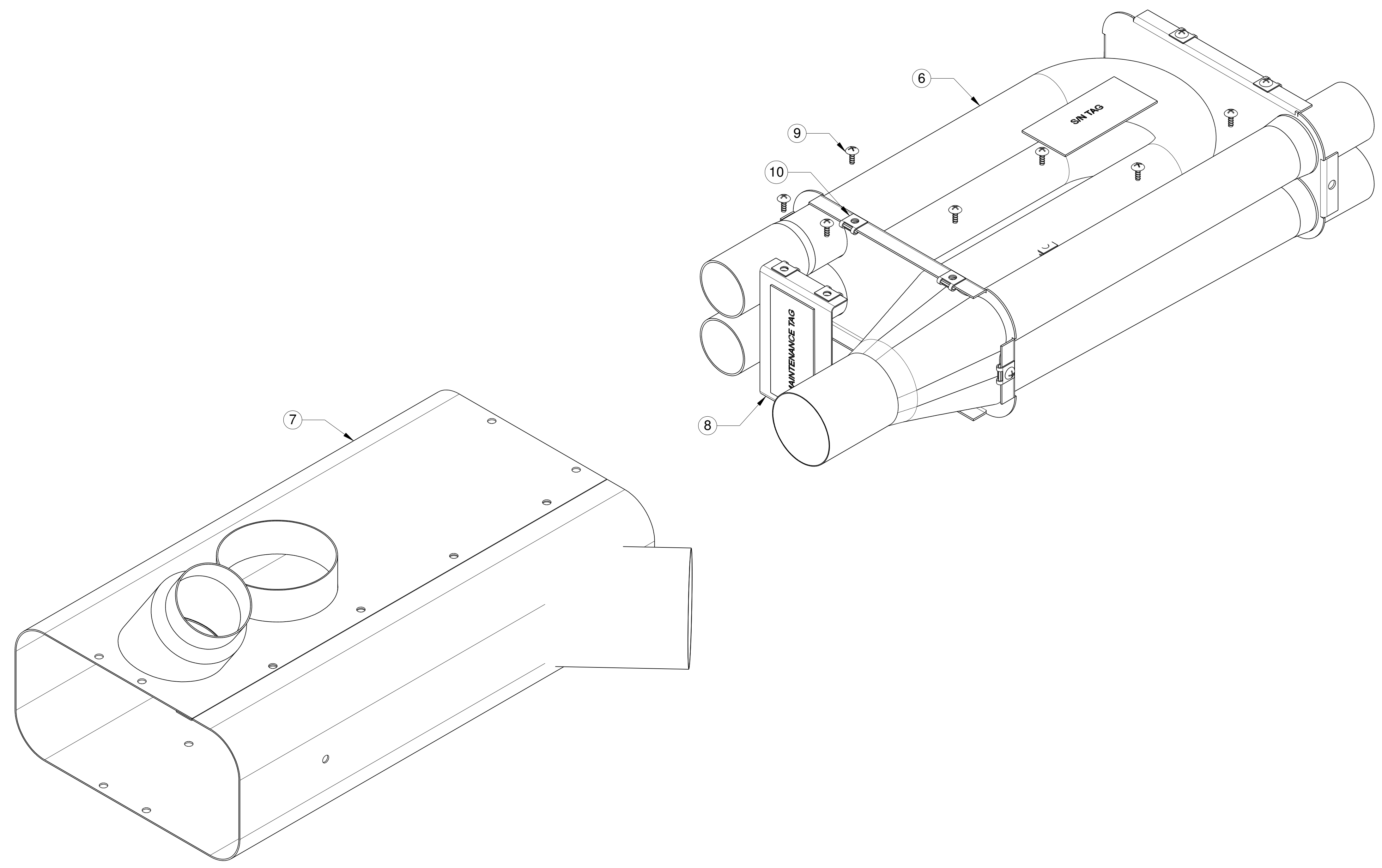


Detail B

ANY EQUIVALENT AVIATION GRADE HARDWARE MAY BE USED

| | | | |
|--|--------------------|-------------------------------------|---|
| TOLERANCES EXCEPT AS NOTED XX ±0.1 0 ±2 XXX ±0.063 0.0 ±1 XXXX ±0.010 0.00 ±0.5 | DRAWN ES | DATE 11/9/2018 | POWER FLOW SYSTEMS, INC. 1585 AVIATION CENTER PKWY HANGAR 804 DAYTONA BEACH, FL 32114 |
| | CHECKED | DIMENSIONS IN INCHES THIRD ANGLE | |
| ALL INFORMATION CONTAINED IN THIS DRAWING IS PROPRIETARY TO POWER FLOW SYSTEMS, INC. | SIZE D | SCALE | DWG TITLE SYSTEM ASSEMBLY |
| | | | REV IR |
| | | | SHEET 1 OF 3 |

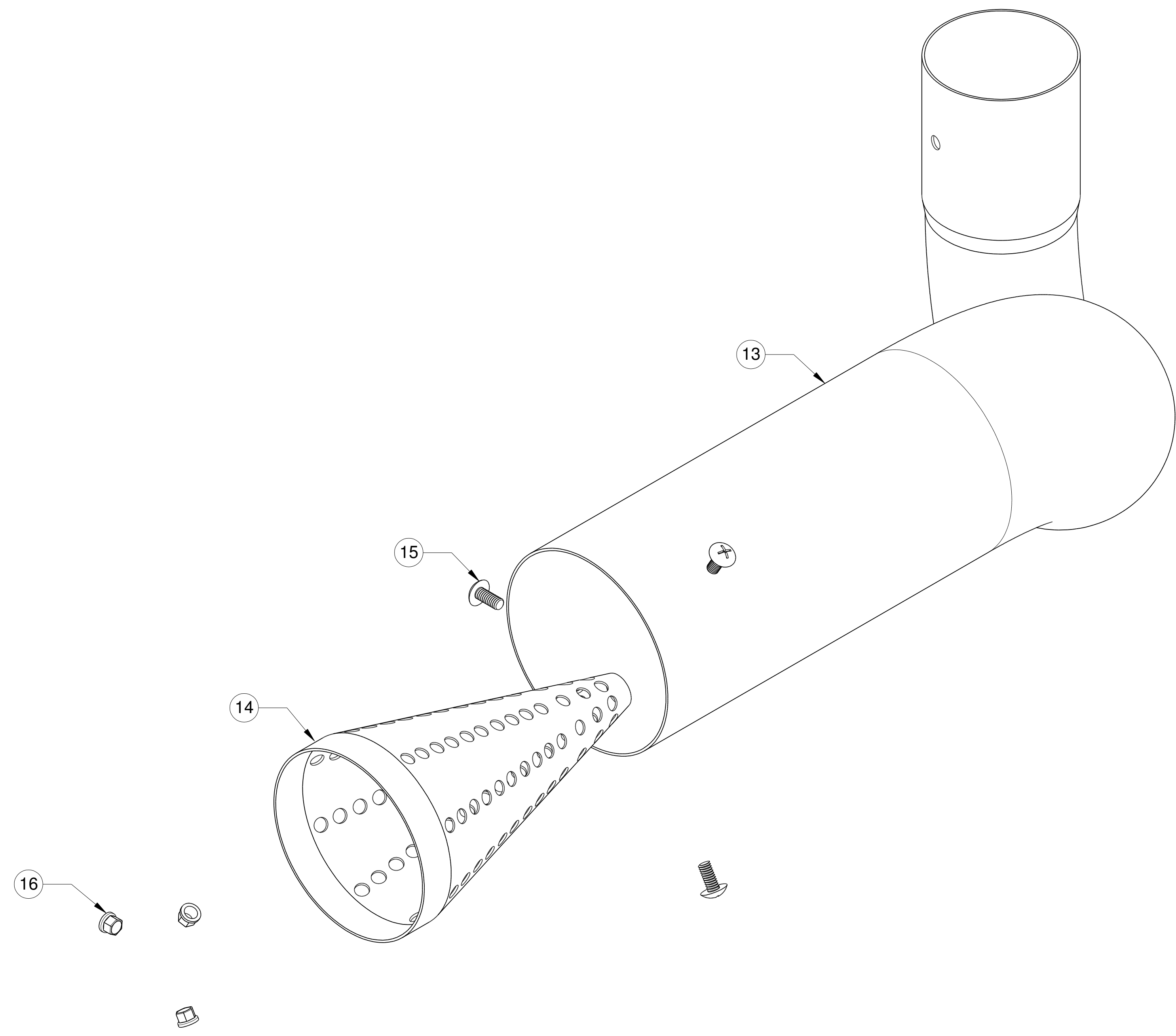
| REVISIONS | | |
|-----------|-------------|------|
| REV | DESCRIPTION | DATE |
| | | |



ANY EQUIVALENT AVIATION GRADE HARDWARE MAY BE USED

| | | | |
|---|--------------------|-------------------------------------|---|
| TOLERANCES EXCEPT AS NOTED XX ±0.1 0 ±2 XXX ±0.063 0.0 ±1 XXXX ±0.010 0.00 ±0.5 | DRAWN ES | DATE 11/9/2018 | POWER FLOW SYSTEMS, INC. 1585 AVIATION CENTER PKWY HANGAR 804 DAYTONA BEACH, FL 32114 |
| | CHECKED | DIMENSIONS IN INCHES THIRD ANGLE | |
| ALL INFORMATION CONTAINED IN THIS DRAWING IS PROPRIETARY TO POWER FLOW SYSTEMS, INC. | SIZE D | SCALE | DWG NO. PFS-18101-IPC |
| DWG TITLE COLLECTOR ASSEMBLY | STOCK SIZE | MATERIAL | REV IR |
| SHEET 2 OF 3 | | | |

| REVISIONS | | |
|-----------|-------------|------|
| REV | DESCRIPTION | DATE |
| | | |



ANY EQUIVALENT AVIATION GRADE HARDWARE MAY BE USED
TAILPIPE IS AVAILABLE IN BOTH POLISHED AND CERAMIC FINISHES

| | | | |
|---|--------------------|--|---|
| TOLERANCES EXCEPT AS NOTED XX ±0.1 0 ±0.2 XXX ±0.063 0.0 ±0.1 XXXX ±0.010 0.00 ±0.5 | DRAWN ES | DATE 11/9/2018 | POWER FLOW SYSTEMS, INC. 1585 AVIATION CENTER PKWY HANGAR 804 DAYTONA BEACH, FL 32114 |
| | CHECKED | DIMENSIONS IN INCHES THIRD ANGLE | |
| ALL INFORMATION CONTAINED IN THIS DRAWING IS PROPRIETARY TO POWER FLOW SYSTEMS, INC. | SIZE D | SCALE | DWG TITLE TAILPIPE ASSEMBLY |
| | | | MATERIAL SHEET 3 OF 3 |

PFS-18101 IPC BOM

NOTE: COMMONLY ORDERED PARTS ARE BOLDED

| Item | Part Number | Description | Qty Per Assy | HW Pack # | Comment |
|-----------|--------------|---------------------------------|--------------|-----------|--|
| 1 | 11680 | HEADER #1 | 1 | | |
| 2 | 12680 | HEADER #2 | 1 | | |
| 3 | 13680 | HEADER #3 | 1 | | |
| 4 | 14680 | HEADER #4 | 1 | | |
| 5 | 40810 | SHROUDED COLLECTOR | 1 | | |
| 6 | 38000 | COLLECTOR ASSEMBLY | 1 | | INC. IN PFS-40810 OR PFS-38000 |
| 7 | 50810 | SHROUD SUB-ASSY | 1 | | INC. IN PFS-40810 OR PFS-50810 |
| 8 | 6801 | SHROUD ENDPLATE | 1 | | INC. IN PFS-40810 OR PFS-50810 |
| 9 | 8Rx3/8THBS/S | SHROUD SCREW | 18 | | INC. IN PFS-40810, PFS-50810, OR PFS-38000 |
| 10 | D1274-8-1 | TINNERMAN CLIP | 18 | | INC. IN PFS-40810 OR PFS-50810 |
| 11 | 7022 | CLAMP, 2IN, PINNED, WIDE | 1 | | |
| 12 | 80081-CER | STUFFED MUFFLER, CERAMIC COATED | 1 | | |
| 12 | 80081 | STUFFED MUFFLER ASSEMBLY | 1 | | |
| 13 | 8081 | TAILPIPE, POLISHED | 1 | | INC. IN 80081 |
| 14 | 8310 | SILENCER CONE | 1 | | INC. IN 80081 OR PFS-8310 |
| 15 | AN526C832R6 | SCREW, #8 x 3/8, CRES | 4 | | INC. IN 80081 OR PFS-8310 |
| 16 | MS21042L08 | NUT, LOCKING, #8 | 4 | | INC. IN 80081 OR PFS-8310 |
| | 10311 | HW PACK, HEADERS AND CLAMPS | 1 | | |
| 17 | 77611 | LYCOMING EXHAUST GASKET | 4 | 10311 | |
| 18 | 94819A046 | ASTM F594 S/S HEX NUT 5/16-18 | 8 | 10311 | |
| 19 | AN4C5A | BOLT, 1/4IN, UNDRILLED, CRES | 1 | 10311 | |
| 20 | AN960-516 | WASHER, PLAIN, 5/16 | 8 | 10311 | |
| 21 | AN960C10 | WASHER, PLAIN, 3/16, CRES | 2 | 10311 | |
| 22 | AB960C416 | WASHER, PLAIN, 1/4, CRES | 2 | 10311 | |
| 23 | MS21045C3 | NUT, LOCKING, 3/16, CRES | 1 | 10311 | |
| 24 | MS21045C4 | NUT, LOCKING, 1/4, CRES | 1 | 10311 | |
| 25 | MS21919WH12 | CLAMP, ADEL, #12 | 1 | 10311 | |
| 26 | MS21919WH6 | CLAMP, ADEL, 3/8 | 1 | 10311 | |
| 27 | MS35333-41 | WASHER LOCKING, 5/16 | 8 | 10311 | |
| 28 | MS51958-63 | SCREW, PANHEAD, #10x1/2" | 1 | 10311 | |
| 29 | SCAT-8 | SCAT HOSE, 2.0 | 16 IN | | |
| 30 | SCAT-8 | SCAT HOSE, 2.0 | 20 IN | | |