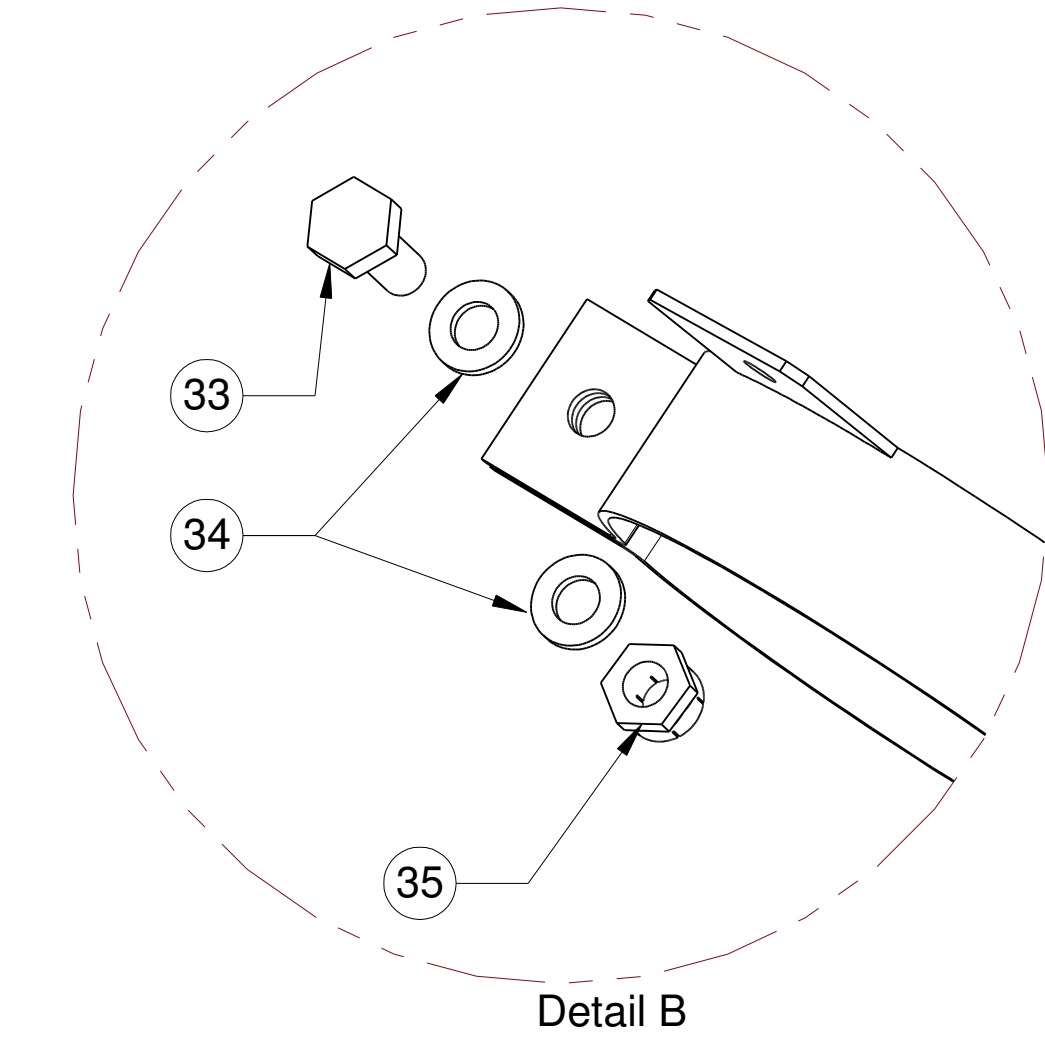
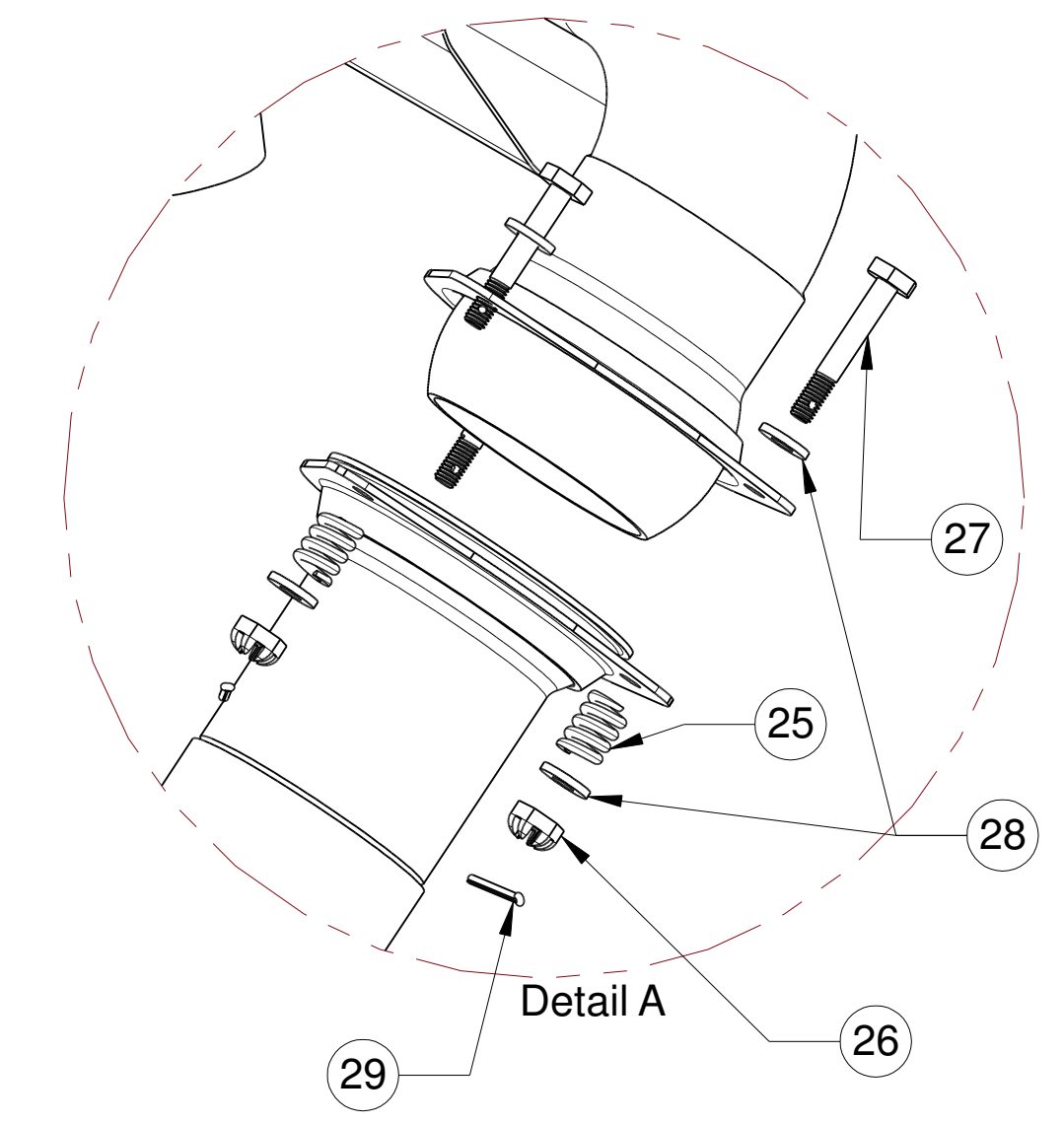
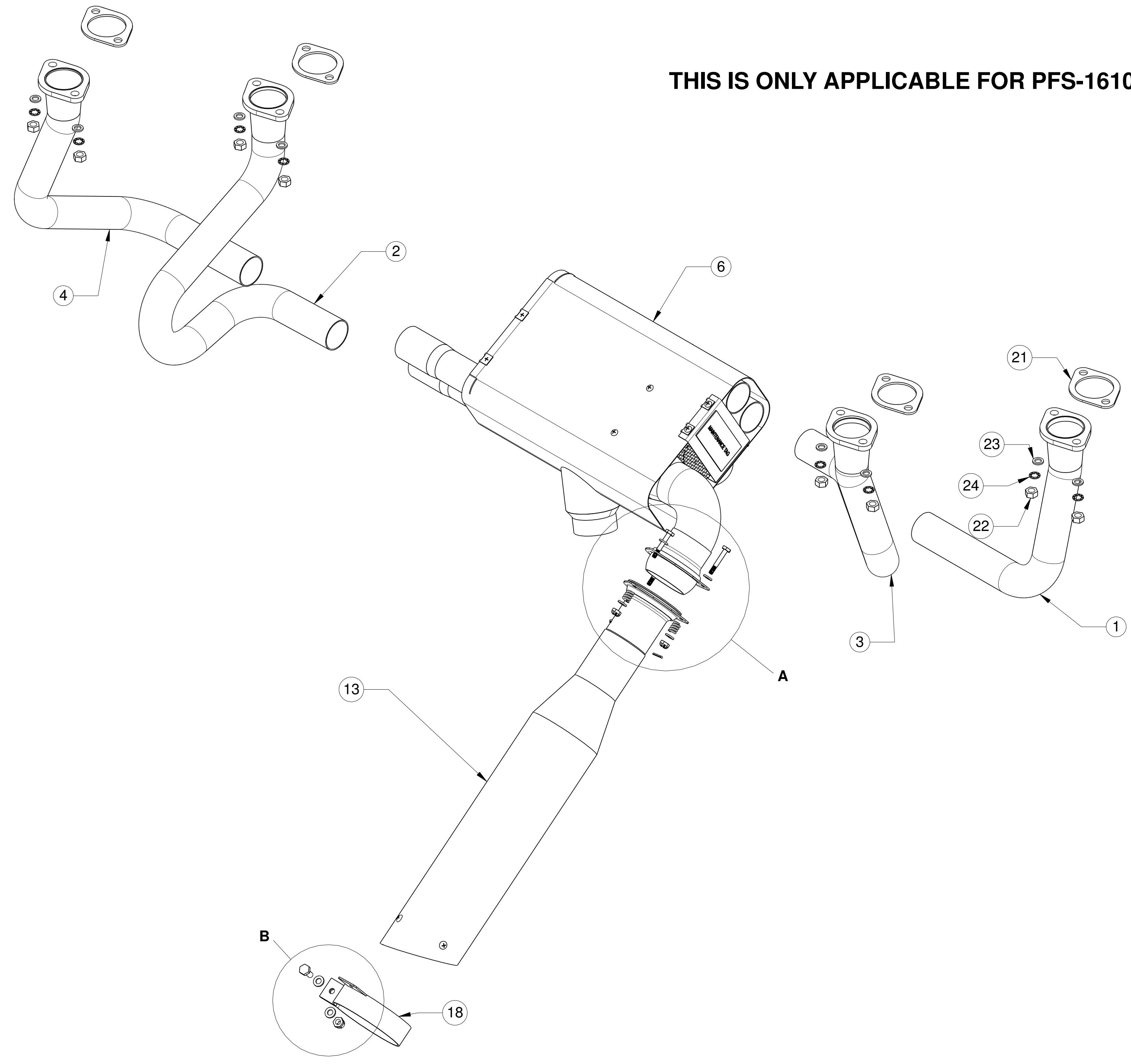



REV		DESCRIPTION	DATE

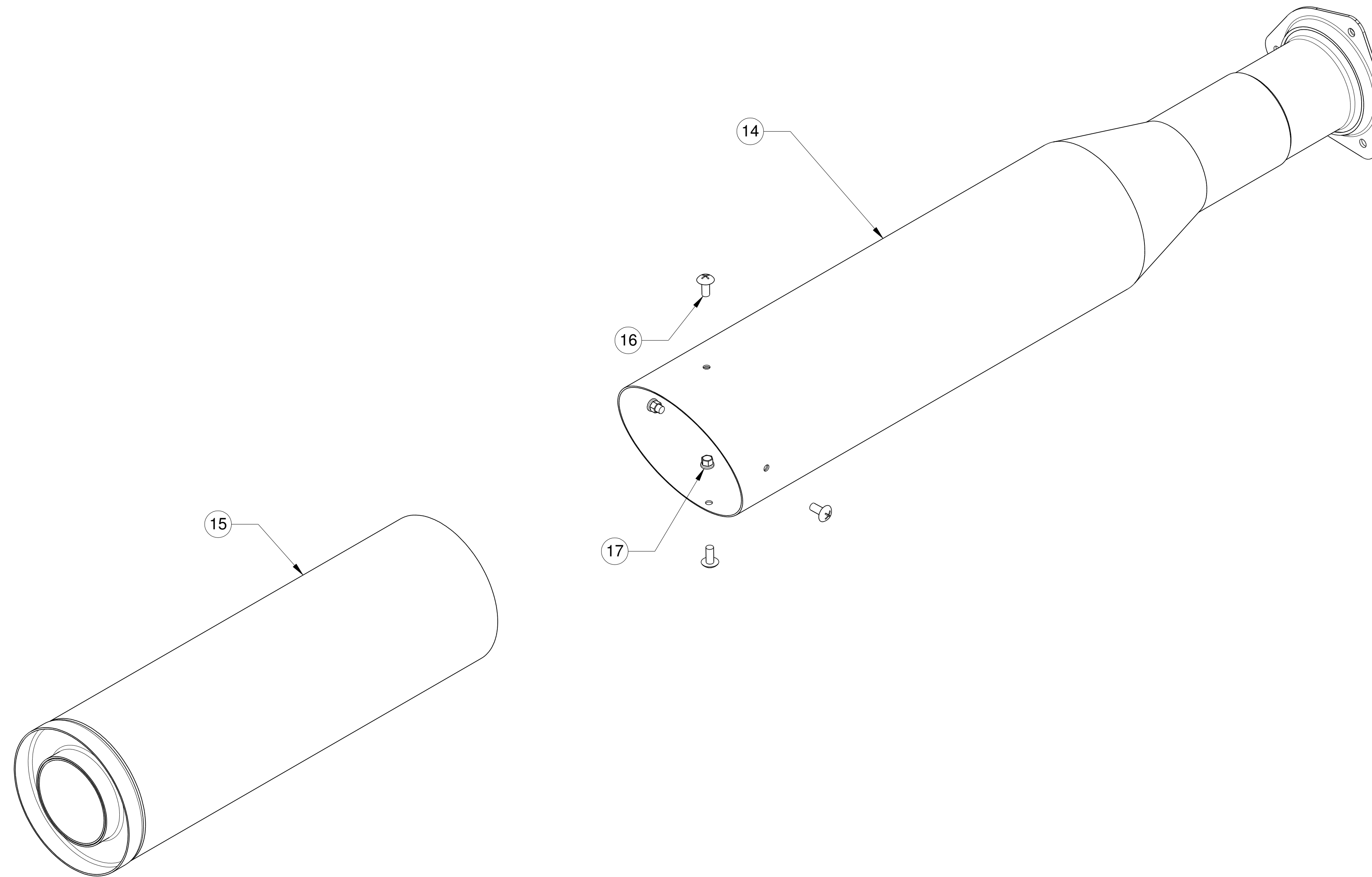
THIS IS ONLY APPLICABLE FOR PFS-16101




ANY EQUIVALENT AVIATION GRADE HARDWARE MAY BE USED

TOLERANCES EXCEPT AS NOTED XX ±0.1 0 ±0.2 XXX ±0.063 0.0 ±0.1 XXXX ±0.010 0.00 ±0.5	DRAWN ES	DATE 11/9/2018	POWER FLOW SYSTEMS, INC. 1585 AVIATION CENTER PKWY HANGAR 804 DAYTONA BEACH, FL 32114 
	CHECKED		
ALL INFORMATION CONTAINED IN THIS DRAWING IS PROPRIETARY TO POWER FLOW SYSTEMS, INC.	DIMENSIONS IN INCHES THIRD ANGLE		DWG NO. PFS-16101-IPC
	SIZE D	SCALE	DWG TITLE SYSTEM ASSEMBLY
			MATERIAL REV IR
			SHEET 1 OF 4

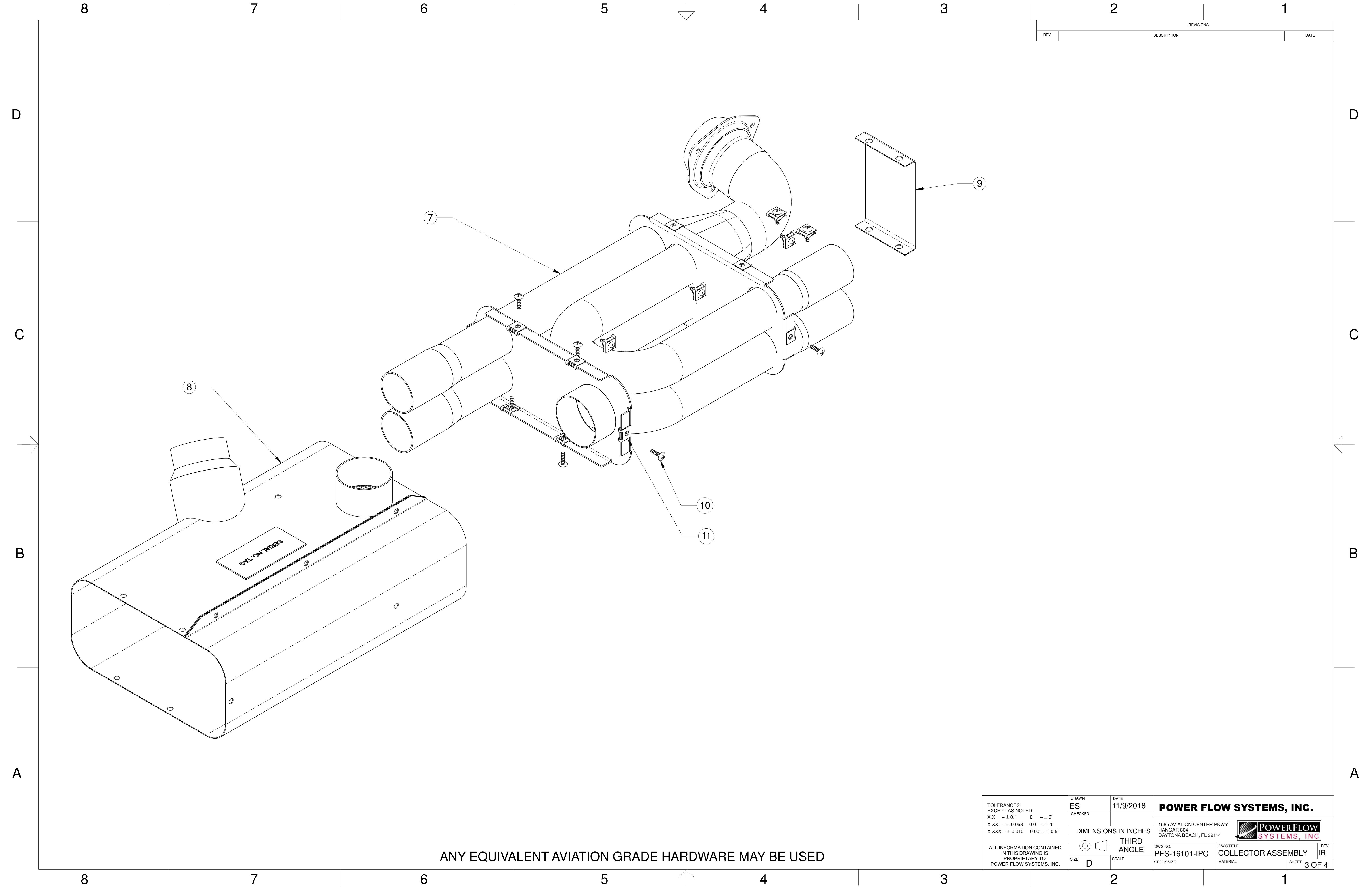
REVISIONS		
REV	DESCRIPTION	DATE




TAILPIPE IS AVAILABLE IN BOTH A POLISHED AND CERAMIC FINISHES
 ANY EQUIVALENT AVIATION GRADE HARDWARE MAY BE USED

TOLERANCES EXCEPT AS NOTED XX ±0.1 0 ±2 XXX ±0.063 0.0 ±1 XXXX ±0.010 0.00 ±0.5	DRAWN ES	DATE 11/9/2018	POWER FLOW SYSTEMS, INC. 1585 AVIATION CENTER PKWY HANGAR 804 DAYTONA BEACH, FL 32114 
	CHECKED		
ALL INFORMATION CONTAINED IN THIS DRAWING IS PROPRIETARY TO POWER FLOW SYSTEMS, INC.	DIMENSIONS IN INCHES THIRD ANGLE		DWG NO. PFS-16101-IPC
	SIZE D	SCALE	DWG TITLE TAILPIPE ASSEMBLY
		STOCK SIZE	MATERIAL
		SHEET 2 OF 4	

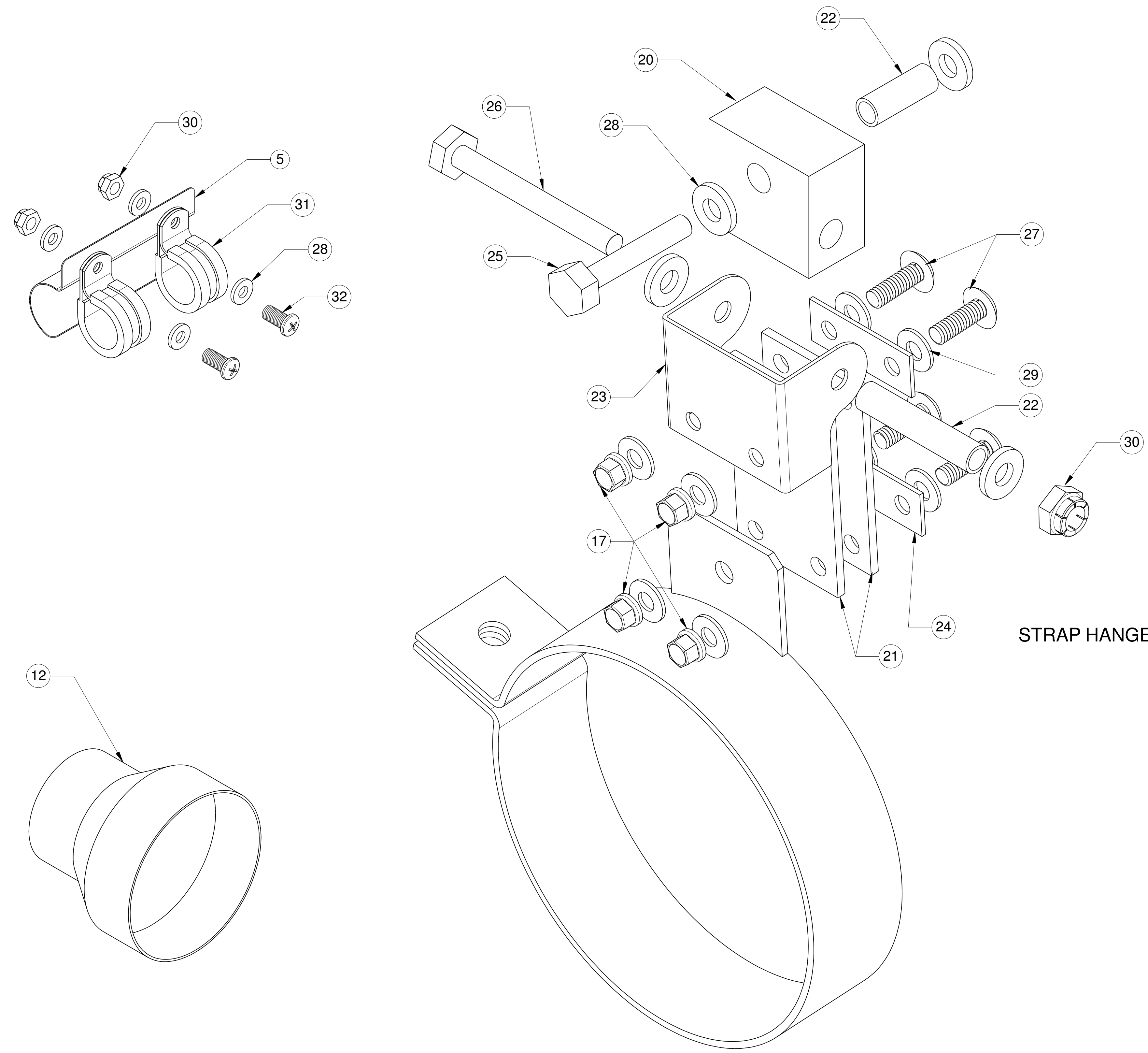
REVISIONS		
REV	DESCRIPTION	DATE



ANY EQUIVALENT AVIATION GRADE HARDWARE MAY BE USED


TOLERANCES EXCEPT AS NOTED XX --± 0.1 0 --± 2 XXX --± 0.063 0.0 --± 1 XXXX --± 0.010 0.00 --± 0.5	DRAWN ES	DATE 11/9/2018	POWER FLOW SYSTEMS, INC. 1585 AVIATION CENTER PKWY HANGAR 804 DAYTONA BEACH, FL 32114 
	CHECKED		
ALL INFORMATION CONTAINED IN THIS DRAWING IS PROPRIETARY TO POWER FLOW SYSTEMS, INC.	SIZE D	SCALE	DWG NO. PFS-16101-IPC STOCK SIZE
			DWG TITLE COLLECTOR ASSEMBLY MATERIAL REV IR SHEET 3 OF 4

REVISIONS		DATE
REV	DESCRIPTION	



STRAP HANGER ASSEMBLY

ANY EQUIVALENT AVIATION GRADE HARDWARE MAY BE USED

TOLERANCES EXCEPT AS NOTED XX --± 0.1 0 --± 2 XXX --± 0.063 0.0 --± 1 X.XXX --± 0.010 0.00 --± 0.5	DRAWN ES	DATE 11/9/2018	POWER FLOW SYSTEMS, INC. 1585 AVIATION CENTER PKWY HANGAR 804 DAYTONA BEACH, FL 32114 
	CHECKED		
ALL INFORMATION CONTAINED IN THIS DRAWING IS PROPRIETARY TO POWER FLOW SYSTEMS, INC.	SIZE D	SCALE	DWG NO. PFS-16101-IPC STOCK SIZE
			DWG TITLE OTHER ASSEMBLIES MATERIAL
			REV IR SHEET 4 OF 4

PFS-16103 IPC BOM

NOTE: COMMONLY ORDERED PARTS ARE BOLDED

Item	Part number	Description	Qty Per Assy	HW Pack #	Comment
1	11600	CYLINDER 1 HEADER ASSEMBLY	1		
2	12600-1	CYLINDER 2 HEADER ASSY, SHORT	1		
3	13600	CYLINDER 3 HEADER ASSEMBLY	1		
4	14600-1	CYLINDER 4 HEADER ASSY, SHORT	1		
5	41602	SHROUDED COLLECTOR	1		
6	38002	COLLECTOR ASSEMBLY	1		INC. IN PFS-41602 OR PFS-38002
7	50601	SHROUD SUBASSY, SYMPHONY	1		INC. IN PFS-41602 OR PFS-50601
8	6801	SHROUD ENDPLATE	1		INC. IN PFS-41602 OR PFS-50601
9	8Rx3/8THBSS	SHROUD SCREW	17		INC. IN PFS-41602, PFS-38002 OR PFS-50601
10	D1274-8-1	TINNERMAN CLIP	17		INC. IN PFS-41602, PFS-38002 OR PFS-50601
11	80060-CER	STUFFED MUFFLER, M20, CERAMIC	1		
11	80060	STUFFED MUFFLER ASSEMBLY - POLISHED	1		
12	8060	MUFFLER BODY, M20	1		INC. IN 80060
13	8016	WRAPPED MUFFLER INSERT	1		INC. IN 80060 OR PFS-8016
14	AN526C832R6	SCREW, #8 x 3/8, CRES	4		INC. IN 80060 OR PFS-8016
15	MS21042L08	NUT, LOCKING, #8	4		INC. IN 80060 OR PFS-8016
16	8031	CLAMP, MUFFLER, M20 BEAD BLASTED	1		
	10310	HW PACK, HEADER GASKETS	1		
17	77611	LYCOMING EXHAUST GASKET	4	10310	
18	94819A046	ASTM F594 S/S HEX NUT 5/16-18	8	10310	
19	AN960-516	WASHER, PLAIN, 5/16	8	10310	
20	MS35333-41	WASHER LOCKING, 5/16	8	10310	
	10360	HW PACK, BALLJOINT	1		
21	33703	BALL JOINT SPRING	3	10360	
22	AN310C3	NUT, CASTLE, 3/16, CRES	3	10360	
23	AN3C12	BOLT, 10-32, CRES	3	10360	
24	AN960C10	WASHER, PLAIN, 3/16, CRES	6	10360	
25	MS24665-153	COTTER PIN	3	10360	
	10362	HW PACK, CLAMP	1		
26	AN4C5A	BOLT, 1/4IN, UNDRILLED, CRES	1	10362	
27	AN960C416	WASHER, PLAIN, 1/4, CRES	2	10362	
28	MS21045C4	NUT, LOCKING, 1/4, CRES	1	10362	
29	SCAT-8	SCAT HOSE, 2.0	12 IN		