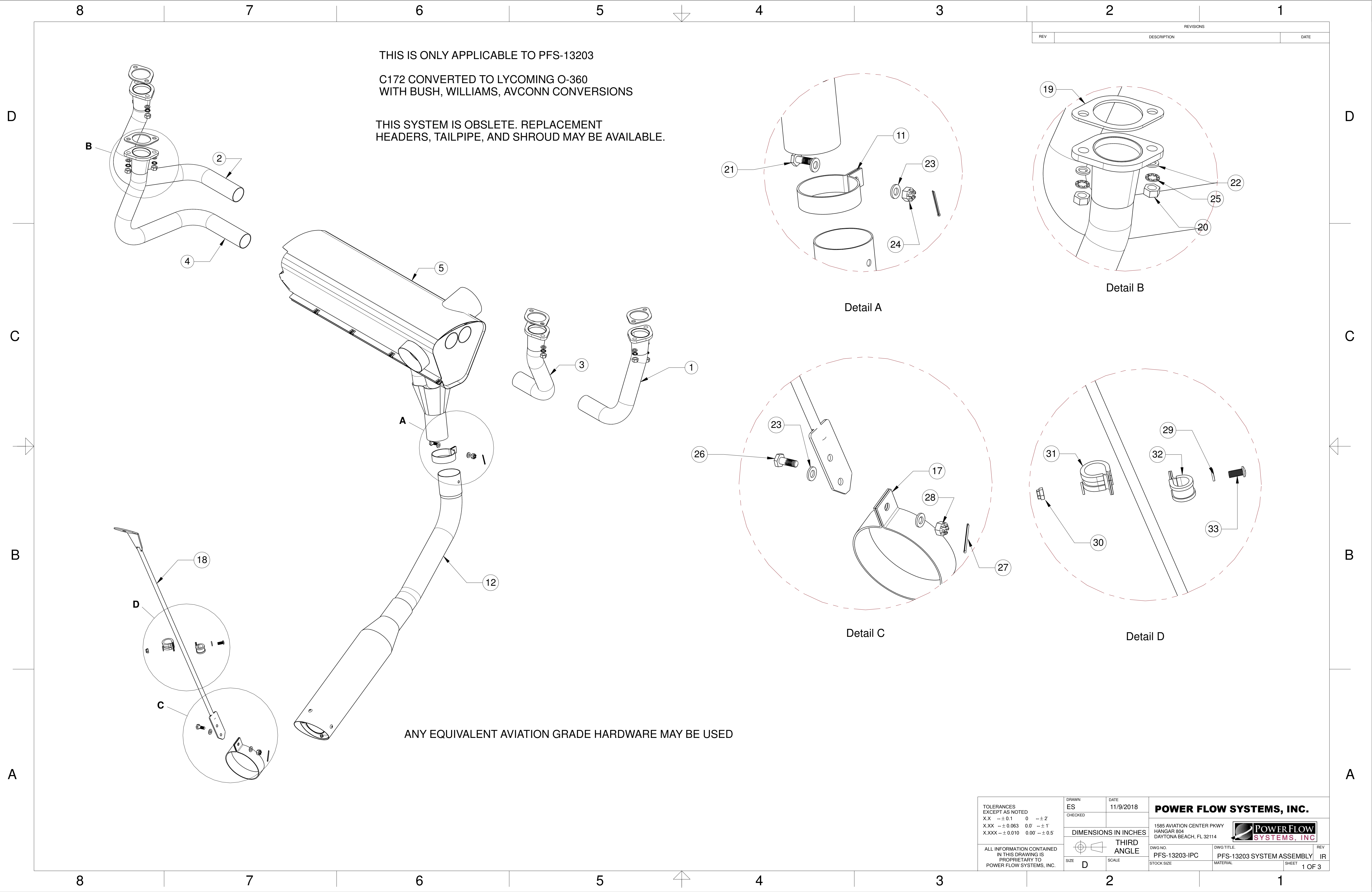


REV		DESCRIPTION	DATE

THIS IS ONLY APPLICABLE TO PFS-13203
 C172 CONVERTED TO LYCOMING O-360
 WITH BUSH, WILLIAMS, AVCONN CONVERSIONS

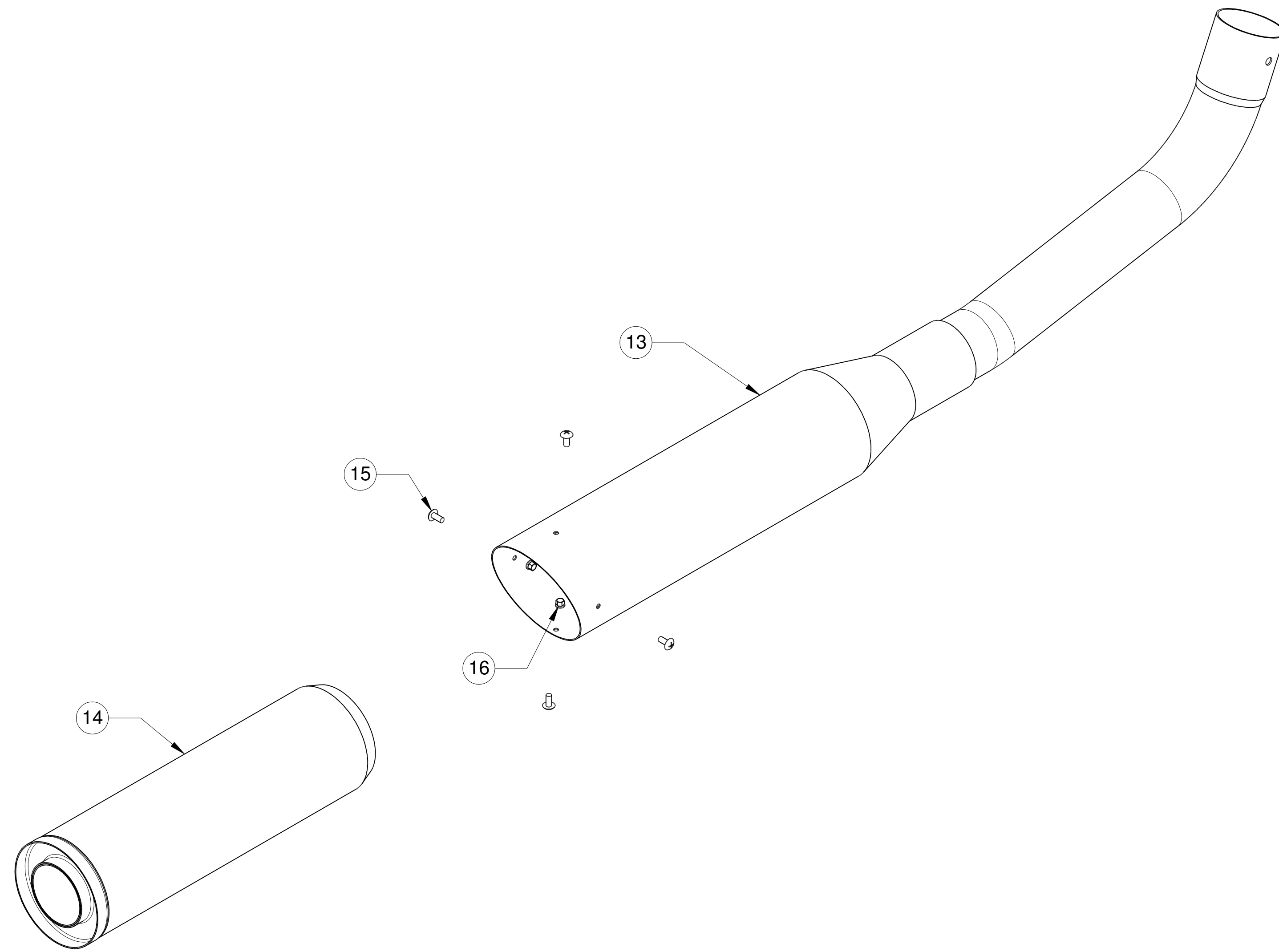
THIS SYSTEM IS OBSLETE. REPLACEMENT
 HEADERS, TAILPIPE, AND SHROUD MAY BE AVAILABLE.




ANY EQUIVALENT AVIATION GRADE HARDWARE MAY BE USED

TOLERANCES EXCEPT AS NOTED XX ±0.1 0 ±2 XXX ±0.063 0.0 ±1 XXXX ±0.010 0.00 ±0.5	DRAWN ES	DATE 11/9/2018	POWER FLOW SYSTEMS, INC. 1585 AVIATION CENTER PKWY HANGAR 804 DAYTONA BEACH, FL 32114
	CHECKED		
ALL INFORMATION CONTAINED IN THIS DRAWING IS PROPRIETARY TO POWER FLOW SYSTEMS, INC.	DIMENSIONS IN INCHES THIRD ANGLE		DWG NO. PFS-13203-IPC
	SIZE D	SCALE	DWG TITLE PFS-13203 SYSTEM ASSEMBLY
			SHEET 1 OF 3

REVISIONS		
REV	DESCRIPTION	DATE

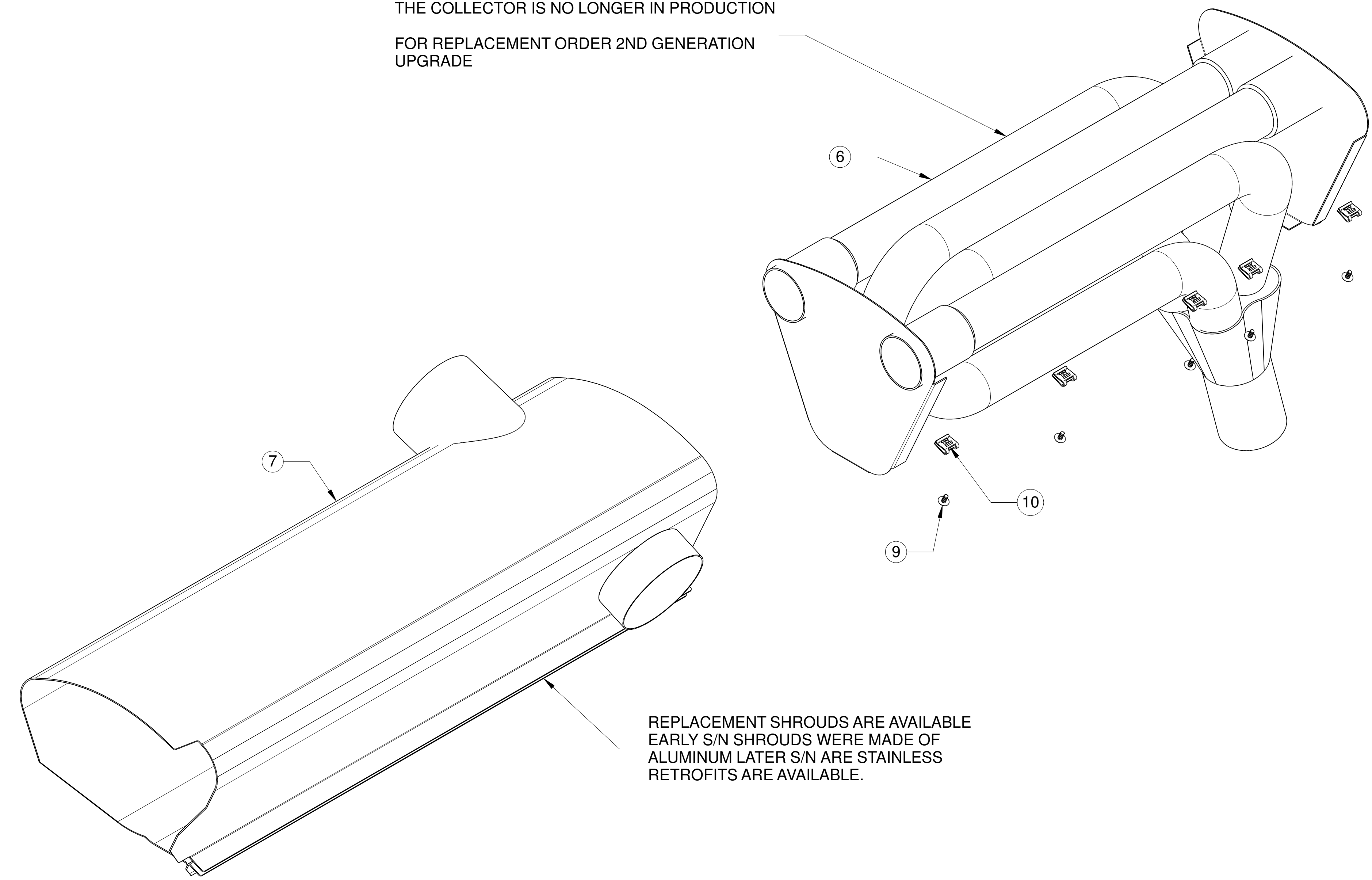


ANY EQUIVALENT AVIATION GRADE HARDWARE MAY BE USED

TOLERANCES EXCEPT AS NOTED XX ±0.1 0 ±2 XXX ±0.063 0.0 ±1 XXXX ±0.010 0.00 ±0.5	DRAWN ES	DATE 11/9/2018	POWER FLOW SYSTEMS, INC. 1585 AVIATION CENTER PKWY HANGAR 804 DAYTONA BEACH, FL 32114 
	CHECKED		
ALL INFORMATION CONTAINED IN THIS DRAWING IS PROPRIETARY TO POWER FLOW SYSTEMS, INC.	DIMENSIONS IN INCHES THIRD ANGLE		DWG NO. PFS-13203-IPC
	SIZE D	SCALE	DWG TITLE PFS-13203 TAILPIPE
			STOCK SIZE MATERIAL SHEET 2 OF 3

REVISIONS		
REV	DESCRIPTION	DATE

THE COLLECTOR IS NO LONGER IN PRODUCTION
FOR REPLACEMENT ORDER 2ND GENERATION
UPGRADE



REPLACEMENT SHROUDS ARE AVAILABLE
EARLY S/N SHROUDS WERE MADE OF
ALUMINUM LATER S/N ARE STAINLESS
RETROFITS ARE AVAILABLE.

ANY EQUIVALENT AVIATION GRADE HARDWARE MAY BE USED

TOLERANCES EXCEPT AS NOTED XX ±0.1 0 ±2 XXX ±0.063 0.0 ±1 XXXX ±0.010 0.00 ±0.5	DRAWN ES	DATE 11/9/2018	POWER FLOW SYSTEMS, INC. 1585 AVIATION CENTER PKWY HANGAR 804 DAYTONA BEACH, FL 32114
	CHECKED		
ALL INFORMATION CONTAINED IN THIS DRAWING IS PROPRIETARY TO POWER FLOW SYSTEMS, INC.	DWG NO. PFS-13203-IPC STOCK SIZE	DWG TITLE PFS-13203 COLLECTOR MATERIAL	REV IR SHEET 3 OF 3

PFS-13203 IPC BOM

NOTE: COMMONLY ORDERED PARTS ARE BOLDED

Item	Part Number	Description	Qty Per Assy	HW Pack #	Comment
1	11100	HEADER #1	1		
2	12100-O360	HEADER #2	1		
3	13100	HEADER #3	1		
4	14100-O360	HEADER #4	1		
5	41726S	SHROUDED COLLECTOR, SS	1		COLLECTOR NO LONGER AVAILABLE, NOW GEN2 UPGRADE
6	30001	COLLECTOR ASSEMBLY, ANNEALED	1		COLLECTOR NO LONGER AVAILABLE, NOW GEN2 UPGRADE
7	51726S	SHROUD SUB-ASSEMBLY, C172	1		INC. IN PFS-51721S , EARLY SERIAL NUMBER ALUMINUM SHROUD NO LONGER AVAILABLE
8	6006S	SHROUD ENDPLATE, SS	1		INC. IN PFS-51726S
9	8R \times 3/8THBSS	SHROUD SCREW	19		INC. IN PFS-51726S
10	D1274-8-1	TINNERMAN CLIP	19		INC. IN PFS-51726S
11	7020	CLAMP, 2IN, PINNED, POLISHED	1		
12	80010-CER	STUFFED MUFFLER, CERAMIC COATED	1		OPTIONAL, CERAMIC FINISH
12	80010	STUFFED MUFFLER	1		POLISHED FINISH
13	8010	MUFFLER BODY	1		INC. IN 80010
14	8016	WRAPPED MUFFLER INSERT	1		INC. IN 80010 OR PFS-8016
15	AN526C832R6	SCREW, #8 X 3/8, CRES	4		INC. IN 80010 OR PFS-8016
16	MS21042L08	NUT, LOCKING, #8	4		INC. IN 80010 OR PFS-8016
17	8030	CLAMP, MUFFLER, POLISHED	1		
18	90020	SUPPORT ROD, C172	1		
	10320	HW PACK, HEADERS AND CLAMPS	1		
19	77611	LYCOMING EXHAUST GASKET	4	10320	
20	94819A045	ASTM F594 S/S HEX NUT 5/16-18	8	10320	
21	AN4C5A	BOLT, 1/4IN, UNDRILLED, CRES	2	10320	REPLACES DRILLED BOLT (ITEM 26)
22	AN960-516	WASHER, PLAIN, 5/16	8	10320	
23	AN960C416	WASHER, PLAIN, 1/4, CRES	4	10320	
24	MS21045C4	NUT, LOCKING, 1/4, CRES	2	10320	REPLACES CASTLE NUT (ITEM 27) AND COTTER PIN (ITEM 28)
25	MS35333-41	WASHER LOCKING, 5/16	8	10320	
26	AN4C5	BOLT, 1/4IN, DRILLED, CRES	2		SUPERSEDED BY UNDRILLED BOLT (ITEM 21), SEE 10362
27	MS24665-153	COTTER PIN	2		SUPERSEDED BY LOCKING NUT (ITEM 24), SEE 10362
28	AN310C4	NUT, CASTLE, 1/4, CRES	2		SUPERSEDED BY LOCKING NUT (ITEM 24), SEE 10362

PFS-13203 IPC BOM

	10321		HW PACK, ADEL CLAMP	1		
29		AB960C10	WASHER, PLAIN, 3/16, CRES	2	10321	
30		MS21045C3	NUT, LOCKING, 3/16, CRES	1	10321	
31		MS21919WH12	CLAMP, ADEL, #12	1	10321	
32		MS21919WH6	CLAMP, ADEL, 3/8	1	10321	
33		MS51958-63	SCREW, PANHEAD, #10x1/2"	1	10321	
	10362					REPLACEMENT PACK FOR ITEMS 21, 23 AND 24
	21	AN4C5A	BOLT, 1/4IN, UNDRILLED, CRES	1	10362	
	23	AN960C416	WASHER, PLAIN, 1/4, CRES	2	10362	
	24	MS21045C4	NUT, LOCKING, 1/4, CRES	1	10362	